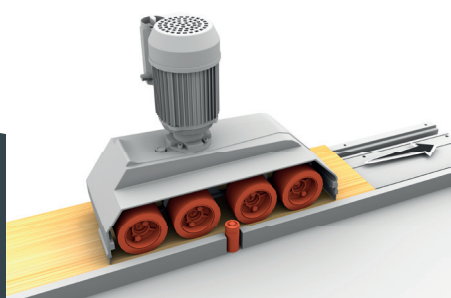




*Professional  
power-feeding  
unit with variable  
speeds*

## STEFF SUPERSONIC 4

**Safety device for a safe and effective  
workpiece feeding on different types  
of traditional wood-working machines**



### HIGH-QUALITY END PRODUCTS

4-wheel model : the ideal solution for the feeding of wooden rods and medium and/or large-size workpieces. Thanks to the two infeed-wheels and the two outfeed ones, the workpiece is constantly and evenly fed through the working process, thus remarkably improving the quality of the end products.



### TOP OF THE RANGE, ELECTRONIC

A wide range of variable speeds ( 0,5 to 33 m/min) with electronic selection and read-out display. The ideal solution for those, who often need to change the feeding rate. By pushing a button on the motor you can easily change the feeding direction back and forth



### PERFECT GRIP

50-Shore wheels made of patented "Feeder Grip" rubber, provide the longest durability and the highest grip on the workpiece. 4 wheels ensure even more grip on the panel throughout the feeding process.



- **Improves the safety** : the operator does not have to put his hands close to the tool
- **Improves the finish quality**, thanks to the constant and even feed-rate
- **Feed-rate can be easily selected** to meet every specific working need
- **Easily adjustable** to suit different sizes of work piece



## STEFF SUPERSONIC 4 SERVICE

Worldwide after-sale service.  
Real-time, on-line remote assistance through a dedicated augmented reality APP.  
Spare-parts availability for up to 10 years, shipment within 24 hrs

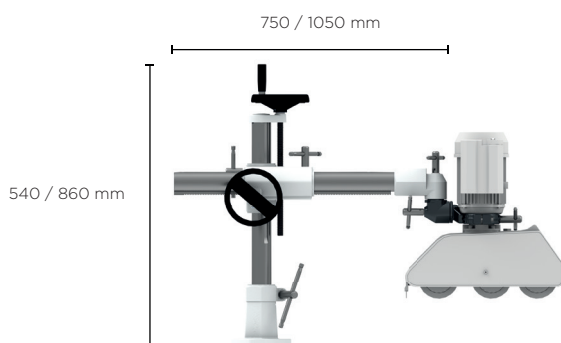
## DATA SHEET

|                                                       |                                                                                                            |
|-------------------------------------------------------|------------------------------------------------------------------------------------------------------------|
| Variable speeds                                       | from 0,5 to 25 mt/min (up to 33 m/min optional)                                                            |
| N. of wheels                                          | 4                                                                                                          |
| Wheel diameter and thickness                          | 120 x 60 mm                                                                                                |
| Motor                                                 | 1 HP / 0,75 KW RPM 1400 /2800                                                                              |
| Wheel suspension                                      | 20 mm                                                                                                      |
| Distance between wheels                               |  133 mm - 143 mm - 145 mm |
| Distance between first and last wheel                 |  421 mm                   |
| Overall dimensions and net weight of the feeding unit | 615 x 220 x 490 mm 38 Kg                                                                                   |
| Overall dimensions and net weight of the stand        | 540 x 910 mm 35 Kg                                                                                         |
| Package dimensions and gross weight (feeding unit)    | 670 x 570 x 330 mm 40 Kg                                                                                   |
| Package dimensions and gross weight ( stand)          | 800 x 330 x 330 mm 37 Kg                                                                                   |



### SAFETY AS A CORE VALUE

A power-feeder improves the safety as it feeds the workpiece close to the tool, while operator's hands are kept at a distance. Its effectiveness depends on specific design and manufacturing criteria. Maggi feeders are the only ones designed and manufactured in Italy and abiding by all EU safety norms.



### UNIVERSAL STAND

For easy positioning and adjusting of the feeding unit on the machine tool. It is easy to fix, stable and strong : foot, cross-shaped piece, pipe, joint and collar are made of cast-iron and the two columns are made of rectified steel of considerable thickness.

**MAGGI TECHNOLOGY**  
Via delle Regioni, 299  
50052 Certaldo (Firenze) Italia

**SERVICE**  
+39 0571 635 433  
service@maggi-technology.com

**SALES**  
+39 0571 635 474  
sales@maggi-technology.com

